



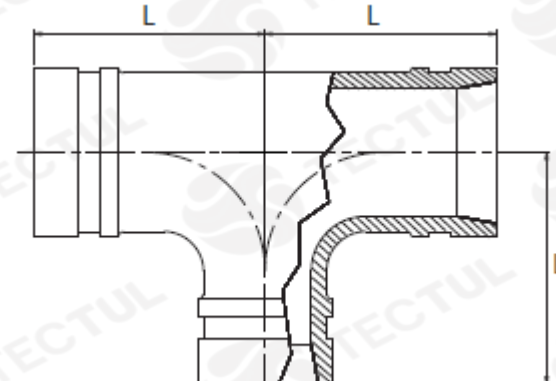
TECTUL

TEE RANURADA REDUCIDA

CARACTERÍSTICAS

APLICACIONES

MATERIALES



* Vista de sección transversal de tipo informativa. No representa version específica en la TEE.

DATOS TÉCNICOS

MEDIDA	DIAMETRO EXTERIOR EN TUBERÍA [mm]	LARGO [mm] (L)	PESO [g]
2"x1"	60.30*x33.70*	70,00*	757,00*
2"x1 1/2"	60.30*x48.30*	70,00*	794,00*
2 1/2"x1 1/2"	76.10*x48.30*	76,00*	1332,00*
2 1/2"x2"	76.10*x60.30*	76,00*	1356,00*
3"x1"	88.90*x33.70*	108,00*	2388,00*
3"x2"	88.90*x60.30*	86,00*	1679,00*
3"x 2 1/2"	88.90*x76.10*	86,00*	1846,00*
4"x 1 1/2"	114.30*x48.30*	101,00*	2670,00*
4"x2"	114.30*x60.30*	101,00*	2685,00*
4"x 2 1/2"	114.30*x76.10*	101,00*	2854,00*
4"x3"	114.30*x88.90*	101,00*	2858,00*
5"x4"	139.70*x114.30*	124,00*	4882,00*
6 1/2" O.D x2"	165.10*x60.30*	140,00*	6293,00*
6 1/2" O.D x4"	165.10*x114.30*	140,00*	6562,00*
6"x2"	168.30*x60.30*	140,00*	6634,00*
6"x3"	168.30*x88.90*	140,00*	6825,00*
6"x4"	168.30*x114.30*	140,00*	6904,00*

* Fotos y medidas referenciales, sujetas a cambios sin previo aviso por parte del proveedor o fabricante.



CARACTERÍSTICAS

Disponen de extremos ranurado que permiten la conexión directa de la pieza de forma rápida minimizando las pérdidas de carga.



MATERIALES

Fundición de hierro dúctil conforme ASTM a-536. Grado 65-45-12.



APLICACIONES

Ideales para redes contraincendios.



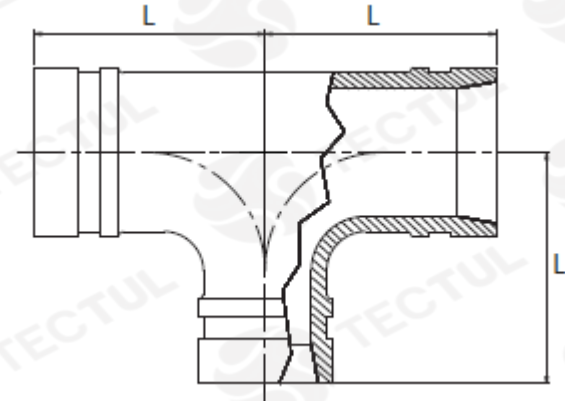
TECTUL

GROOVED REDUCED TEE

CHARACTERISTICS

APPLICATIONS

MATERIALS



* Informational type cross section view. It does not represent a specific version on the TEE.

TECHNICAL DATA			
MEASURE	PIPE EXTERNAL DIAMETER [mm]	LENGTH [mm] (L)	WEIGHT [g]
2"x1"	60.30*x33.70*	70,00*	757,00*
2"x1 1/2"	60.30*x48.30*	70,00*	794,00*
2 1/2"x1 1/2"	76.10*x48.30*	76,00*	1332,00*
2 1/2"x2"	76.10*x60.30*	76,00*	1356,00*
3"x1"	88.90*x33.70*	108,00*	2388,00*
3"x2"	88.90*x60.30*	86,00*	1679,00*
3"x 2 1/2"	88.90*x76.10*	86,00*	1846,00*
4"x 1 1/2"	114.30*x48.30*	101,00*	2670,00*
4"x2"	114.30*x60.30*	101,00*	2685,00*
4"x 2 1/2"	114.30*x76.10*	101,00*	2854,00*
4"x3"	114.30*x88.90*	101,00*	2858,00*
5"x4"	139.70*x114.30*	124,00*	4882,00*
6 1/2" O.D x2"	165.10*x60.30*	140,00*	6293,00*
6 1/2" O.D x4"	165.10*x114.30*	140,00*	6562,00*
6"x2"	168.30*x60.30*	140,00*	6634,00*
6"x3"	168.30*x88.90*	140,00*	6825,00*
6"x4"	168.30*x114.30*	140,00*	6904,00*

* Reference photos and measurements, subject to change without prior notice from the supplier or manufacturer.

CHARACTERISTICS
They have grooved ends that allow the direct connection of the piece of quickly minimizing the loss of load.

MATERIALS
ASTM compliant ductile iron casting a-536. Grade 65-45-12.

APPLICATIONS
Ideal for fire networks.