



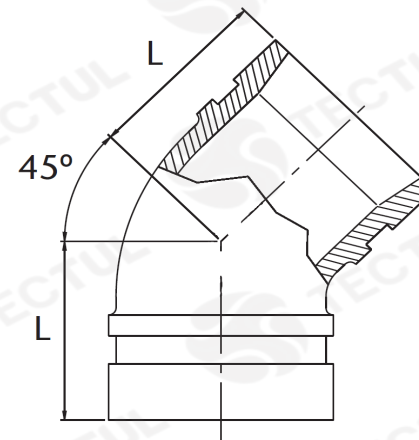
TECTUL

SEMICODO RANURADO

CARACTERÍSTICAS

APLICACIONES

MATERIALES



* Vista de sección transversal de tipo informativa. No representa versión específica en el codo.

CARACTERÍSTICAS

Disponen de extremos ranurado que permiten la conexión directa de la pieza de forma rápida minimizando las pérdidas de carga

MATERIALES

Fundición de hierro dúctil conforme ASTM a-536. Grado 65-45-12.

APLICACIONES

Ideales para redes contraincendios.

DATOS TÉCNICOS

| MEDIDA | DIAMETRO EXTERIOR EN TUBERÍA [mm] | LONGITUD [mm] (L) | PESO [g] |
|--------|-----------------------------------|-------------------|----------|
| 1" | 33,70* | 38,00* | 300,00* |
| 1 ¼" | 42,40* | 44,00* | 380,00* |
| 1 ½" | 48,30* | 44,00* | 400,00* |
| 2" | 60,30* | 51,00* | 680,00* |
| 2 ½" | 76,10* | 57,00* | 780,00* |
| 3" | 88,90* | 64,00* | 1120,00* |
| 4" | 114,30* | 76,00* | 1760,00* |
| 5" | 139,70* | 83,00* | 2500,00* |
| 6" | 168,30* | 89,00* | 3400,00* |

* Fotos y medidas referenciales, sujetas a cambios sin previo aviso por parte del proveedor o fabricante.



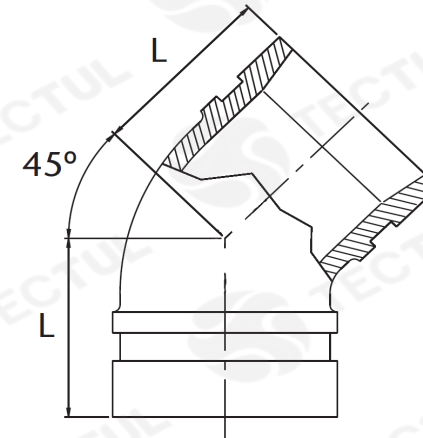
TECTUL

GROOVED SEMIELBOW

CHARACTERISTICS

APPLICATIONS

MATERIALS



* Informational type cross section view. It does not represent a specific version on the Elbow.

CHARACTERISTICS

They have grooved ends that allow the direct connection of the piece of quickly minimizing the loss of load.

MATERIALS

ASTM compliant ductile iron casting a-536. Grade 65-45-12.

APPLICATIONS

Ideal for fire networks.

| TECHNICAL DATA | | | |
|----------------|-----------------------------|-----------------|------------|
| MEASURE | PIPE EXTERNAL DIAMETER [mm] | LENGTH [mm] (L) | WEIGHT [g] |
| 1" | 33,70* | 38,00* | 300,00* |
| 1 ¼" | 42,40* | 44,00* | 380,00* |
| 1 ½" | 48,30* | 44,00* | 400,00* |
| 2" | 60,30* | 51,00* | 680,00* |
| 2 ½" | 76,10* | 57,00* | 780,00* |
| 3" | 88,90* | 64,00* | 1120,00* |
| 4" | 114,30* | 76,00* | 1760,00* |
| 5" | 139,70* | 83,00* | 2500,00* |
| 6" | 168,30* | 89,00* | 3400,00* |

* Reference photos and measurements, subject to change without prior notice from the supplier or manufacturer.