



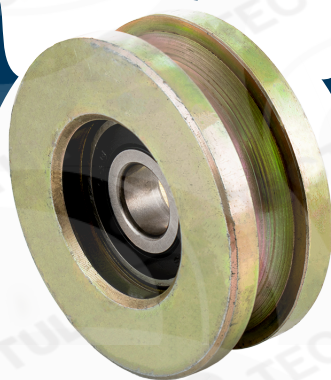
TECTUL

PULLEY WITHOUT BASE 3" GUAYA PROFILE 1/2" WITH BEARING

MATERIALS

PHYSICAL CHARACTERISTICS

DIMENSIONAL CHARACTERISTICS



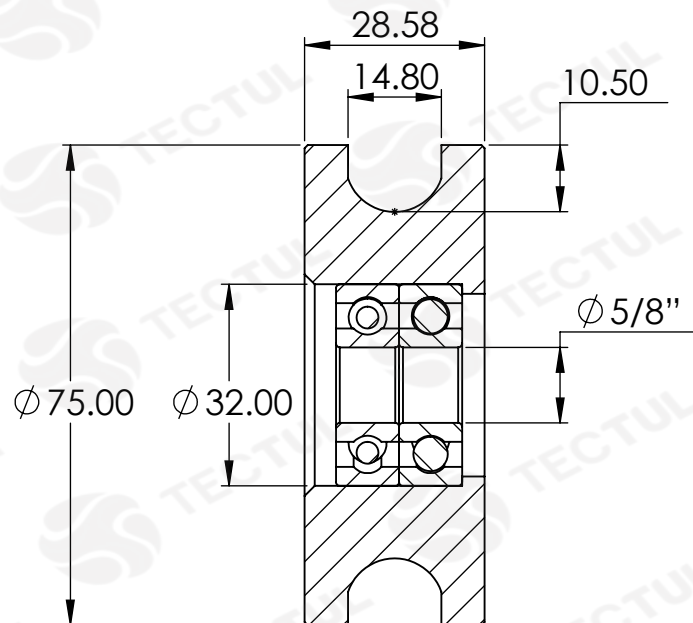
TECHNICAL DATA	
COMPONENTS	STATIC LOAD
SAE/1045 Steel Disc	500 kg
M5/8" Lock Nut	
Screw M5/8" x 2" Galvanized	
Bushing 3/4" x 10.5 mm	
Deep Groove Ball Bearing 6203	

* Reference photos and measurements, subject to change without prior notice from the supplier or manufacturer.

CHARACTERISTICS
 Designed to increase the strength of lifting with a wheel track and a cable, rope or chain.

MATERIALS
 Cold rolled carbon steel according to standards AISI/SAE 1045, DIN C22 or UNS G 10200.

APPLICATIONS
 Designed for the agricultural sector. Ideals for drying coee, cocoa, corn and for the transport and lifting of loads.



* Informational type cross section view. Does not represent a specific version of the accessory or item. Tolerances can vary ± 2mm

* Reference photos and measurements, subject to change without prior notice from the supplier or manufacturer.