



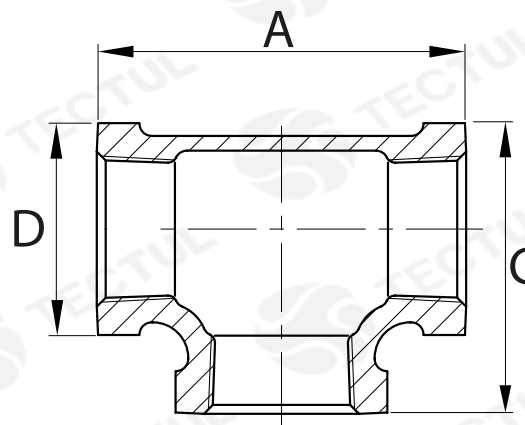
TECTUL

TEE INOXIDABLE - CLASE 150

MATERIALES

CARACTERÍSTICAS FÍSICAS

CARACTERÍSTICAS DIMENSIONALES



* Vista de sección transversal de tipo informativa. No representa una versión específica del accesorio o elemento.

DATOS TÉCNICOS

| MEDIDA [in] | ANCHO [mm] (C) | ALTURA [mm] (A) | DIÁMETRO EXTERNO [mm] (D) | PASO DE ROSCA [H/In] | PESO [g] |
|-------------|----------------|-----------------|---------------------------|----------------------|----------|
| 1/4" | 32,00* | 42,00* | 22,45* | 18 | 69* |
| 3/8" | 37,00* | 50,00* | 26,75* | 18 | 95* |
| 1/2" | 43,00* | 55,00* | 29,20* | 14 | 111* |
| 3/4" | 50,00* | 65,00* | 36,15* | 14 | 184* |
| 1" | 59,00* | 74,00* | 42,65* | 11,5 | 285* |
| 1 1/4" | 70,00* | 88,00* | 52,75* | 11,5 | 457* |
| 1 1/2" | 79,00* | 98,00* | 59,40* | 11,5 | 592* |
| 2" | 95,00* | 114,00* | 71,05* | 11,5 | 1129* |
| 2 1/2" | 120,00* | 140,00* | 93,70* | 8 | 2086* |
| 3" | 135,00* | 160,00* | 109,70* | 8 | 2914* |
| 4" | 170,00* | 190,00* | 139,40* | 8 | 6400* |
| 6" | 220,00* | 260,00* | 199,50* | 8 | 13300* |

* Fotos y medidas referenciales, sujetas a cambios sin previo aviso por parte del proveedor o fabricante.



MATERIALES

Fabricados en acero inoxidable
ASTM 351 CF8 (304)



CARACTERÍSTICAS FÍSICAS

Recomendado para la conducción de vapor, gases, ácidos. Uso agroindustrial, procesos de alimentos y azucareras



CARACTERÍSTICAS DIMENSIONALES

Dimensiones básicas según la Norma Nacional estadounidense. Con conexión roscada NPT según ANSI/ASME B1.20.1



TECTUL

STAINLESS TEE - CLASS 150

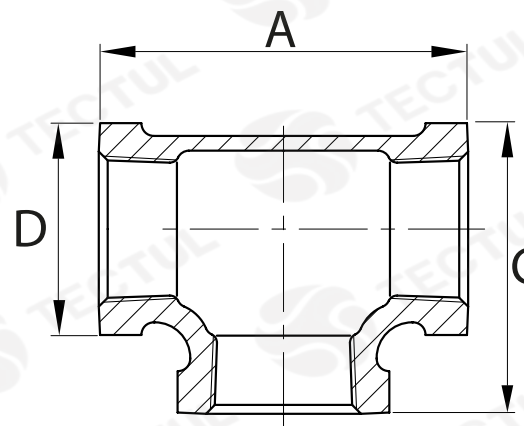
MATERIALS



PHYSICAL CHARACTERISTICS



DIMENSIONAL CHARACTERISTICS



* Informational cross-sectional view. Does not represent a specific version of the accessory or item.

TECHNICAL DATA

| MEASURE [in] | WIDTH [mm] (C) | HEIGHT [mm] (A) | EXTERNAL DIAMETER [mm] (D) | THREAD PITCH [H/in] | WEIGHT [g] |
|--------------|----------------|-----------------|----------------------------|---------------------|------------|
| 1/4" | 32,00* | 42,00* | 22,45* | 18 | 69* |
| 3/8" | 37,00* | 50,00* | 26,75* | 18 | 95* |
| 1/2" | 43,00* | 55,00* | 29,20* | 14 | 111* |
| 3/4" | 50,00* | 65,00* | 36,15* | 14 | 184* |
| 1" | 59,00* | 74,00* | 42,65* | 11,5 | 285* |
| 1 1/4" | 70,00* | 88,00* | 52,75* | 11,5 | 457* |
| 1 1/2" | 79,00* | 98,00* | 59,40* | 11,5 | 592* |
| 2" | 95,00* | 114,00* | 71,05* | 11,5 | 1129* |
| 2 1/2" | 120,00* | 140,00* | 93,70* | 8 | 2086* |
| 3" | 135,00* | 160,00* | 109,70* | 8 | 2914* |
| 4" | 170,00* | 190,00* | 139,40* | 8 | 6400* |
| 6" | 220,00* | 260,00* | 199,50* | 8 | 13300* |

* Reference photos and measurements, subject to change without prior notice from the supplier or manufacturer.



MATERIALS

Made of stainless steel
ASTM 351 CF8 (304)



PHYSICAL CHARACTERISTICS

Recommended for driving steam, gases, acids. Agro-industrial use, food and sugar processing



DIMENSIONAL CHARACTERISTICS

Basic dimensions according to the Standard National American. With threaded connection NPT per ANSI/ASME B1.20.1