



TECTUL

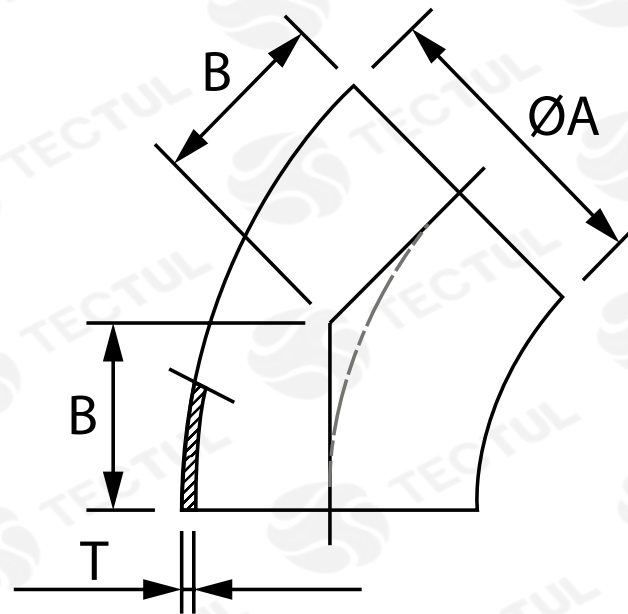
CODO 45° SANITARIO INOXIDABLE SOLDABLE

MATERIALES

CARACTERÍSTICAS FÍSICAS



CARACTERÍSTICAS DIMENSIONALES



* Vista de sección transversal de tipo informativa. No representa una versión específica del accesorio o elemento.

MATERIALES

Fabricados acero inoxidable 304 o 316L.
Cumplen con la norma 3-A

CARACTERÍSTICAS FÍSICAS

Accesorios grado alimenticio. Su material brinda una alta resistencia a la corrosión y una larga vida de uso

CARACTERÍSTICAS DIMENSIONALES

Dimensiones básicas según la Norma Nacional estadounidense. Para alimentos y conducción de fluidos como agua y aire

| DATOS TÉCNICOS | | | | |
|----------------|----------------------------|--------------------------|-----------------------|----------|
| MEDIDA | DISTANCIA A CENTRO [mm](B) | DIÁMETRO EXTERNO [mm](A) | ESPESOR DE PARED [mm] | PESO [g] |
| 1" | 15,87* | 25,40* | 1,65* | 31,75* |
| 1-1/2" | 23,82* | 38,10* | 1,65* | 68,94* |
| 2" | 31,75* | 50,80* | 1,65* | 108,84* |
| 2-1/2" | 39,70* | 63,50* | 1,65* | 190,51* |
| 3" | 47,62* | 76,20* | 1,65* | 403,70* |
| 4" | 63,50* | 101,60* | 2,10* | 603,28* |
| 6" | 95,25* | 152,40* | 2,76* | 1884,70* |

* Fotos y medidas referenciales, sujetas a cambios sin previo aviso por parte del proveedor o fabricante.



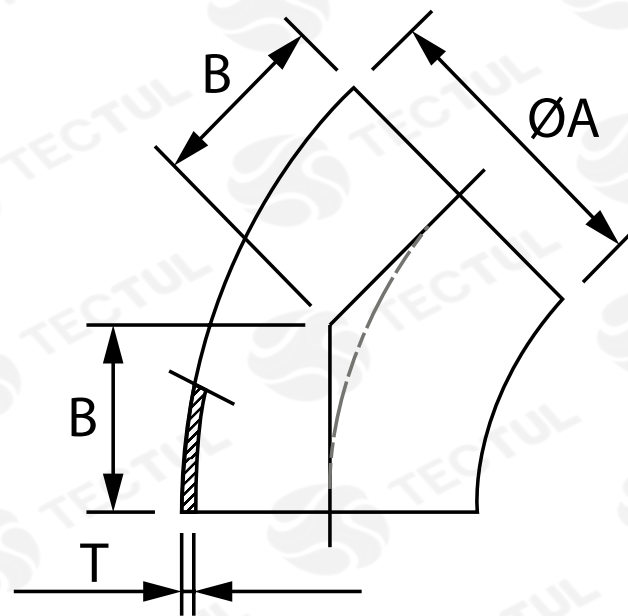
TECTUL

ELBOW 45° SANITARY STAINLESS BUTT WELD

MATERIALS

PHYSICAL CHARACTERISTICS

DIMENSIONAL CHARACTERISTICS



* Informational cross-sectional view. Does not represent a specific version of the accessory or item.



MATERIALS

Made of 304 or 316L stainless steel.
3-A Compliant



PHYSICAL CHARACTERISTICS

Food grade accessories. your material
Provides high corrosion resistance
and a long life of use



DIMENSIONAL CHARACTERISTICS

Basic dimensions according to the Standard
American National. for food and
conduction of fluids such as water and air

TECHNICAL DATA

| MEASURE | DISTANCE TO CENTER [mm](B) | EXTERNAL DIAMETER [mm](A) | WALL THICKNESS [mm] | WEIGHT [g] |
|---------|----------------------------|---------------------------|---------------------|------------|
| 1" | 15,87* | 25,40* | 1,65* | 31,75* |
| 1-1/2" | 23,82* | 38,10* | 1,65* | 68,94* |
| 2" | 31,75* | 50,80* | 1,65* | 108,84* |
| 2-1/2" | 39,70* | 63,50* | 1,65* | 190,51* |
| 3" | 47,62* | 76,20* | 1,65* | 403,70* |
| 4" | 63,50* | 101,60* | 2,10* | 603,28* |
| 6" | 95,25* | 152,40* | 2,76* | 1884,70* |

* Reference photos and measurements, subject to change without prior notice from the supplier or manufacturer.