



# TECTUL

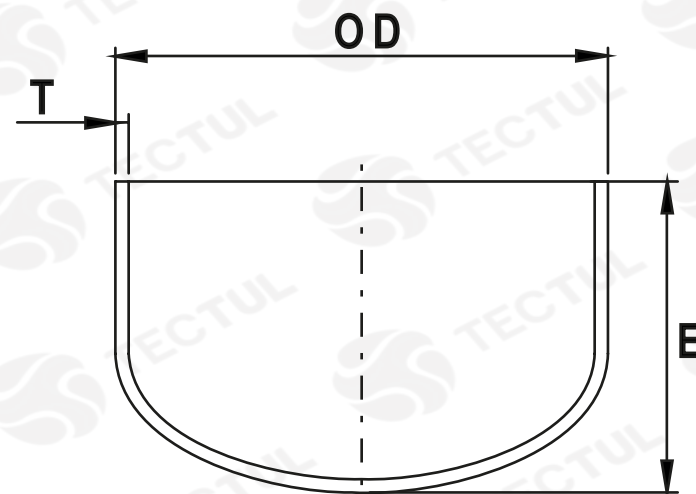
## TAP+ON HEMBRA SOLDABLE INOXIDABLE SCHEDULE 40

### MATERIALES

### CARACTERÍSTICAS FÍSICAS



### CARACTERÍSTICAS DIMENSIONALES



\*Vista de sección transversal de tipo informativa. No representa una versión específica del accesorio o elemento.

### MATERIALES

Fabricados acero inoxidable  
ASTM A403 304/304L

### CARACTERÍSTICAS FÍSICAS

Accesorios con conexión soldable  
Butt Weld. Para conducción de gases,  
ácidos, azucareras y proceso de alimentos

### CARACTERÍSTICAS DIMENSIONALES

Dimensiones básicas según la Norma  
Nacional estadounidense.  
ANSI/ASME B16.9 con extremos biselados

### DATOS TÉCNICOS

MEDIDA	DIÁMETRO EXTERIOR (OD) [mm]	ESPESOR DE PARED (T) [mm]	ALTURA (E) [mm]	PESO [g]
1/2"	21,30*	2,77*	25,40*	30,48*
3/4"	26,70*	2,87*	25,40*	30,48*
1"	33,50*	3,38*	38,10*	45,72*
1-1/4"	42,20*	3,56*	38,10*	45,72*
1-1/2"	48,30*	3,68*	38,10*	45,72*
2"	60,50*	3,91*	38,10*	45,72*
2-1/2"	73,20*	5,16*	38,10*	45,72*
3"	88,90*	5,49*	50,80*	60,96*
4"	114,30*	6,02*	63,50*	76,20*
6"	168,10*	6,02*	88,90*	106,68*

\* Fotos y medidas referenciales, sujetas a cambios sin previo aviso por parte del proveedor o fabricante.



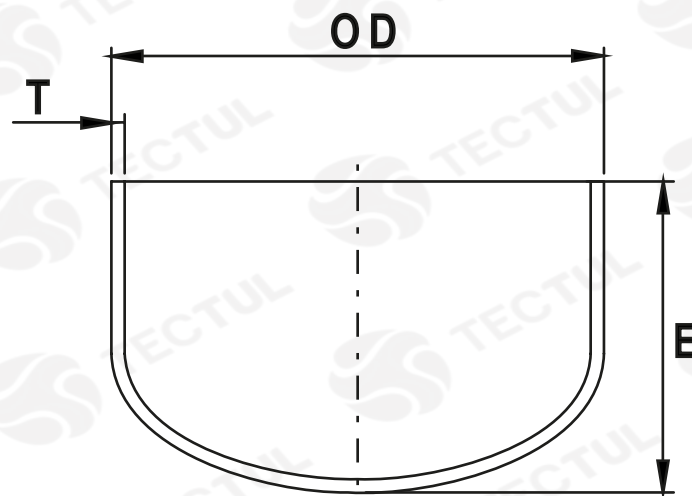
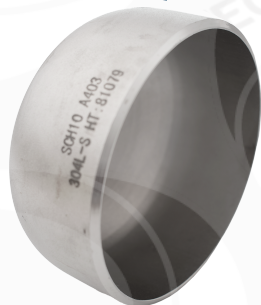
# TECTUL

# BUTT WELD CAP STAINLESS SCHEDULE 40

## MATERIALS

## PHYSICAL CHARACTERISTICS

## DIMENSIONAL CHARACTERISTICS



\* Informational cross-sectional view. Does not represent a specific version of the accessory or item.

## MATERIALS

Made of stainless steel  
ASTM A403 304/304L

## PHYSICAL CHARACTERISTICS

Accessories with solder connection  
Butt Weld. for gas conduction,  
acids, sugar and food processing

## DIMENSIONAL CHARACTERISTICS

Basic dimensions according to the Standard  
American National.  
ANSI/ASME B16.9 with beveled ends

## TECHNICAL DATA

MEASURE	EXTERNAL DIAMETER (OD) [mm]	WALL THICKNESS (T) [mm]	HEIGHT (E) [mm]	WEIGHT [g]
1/2"	21,30*	2,77*	25,40*	30,48*
3/4"	26,70*	2,87*	25,40*	30,48*
1"	33,50*	3,38*	38,10*	45,72*
1-1/4"	42,20*	3,56*	38,10*	45,72*
1-1/2"	48,30*	3,68*	38,10*	45,72*
2"	60,50*	3,91*	38,10*	45,72*
2-1/2"	73,20*	5,16*	38,10*	45,72*
3"	88,90*	5,49*	50,80*	60,96*
4"	114,30*	6,02*	63,50*	76,20*
6"	168,10*	6,02*	88,90*	106,68*

\* Reference photos and measurements, subject to change without prior notice from the supplier or manufacturer.