



TECTUL

TEE MANGUERA ALUMINIO

MATERIALES

CARACTERÍSTICAS FÍSICAS



CARACTERÍSTICAS DIMENSIONALES

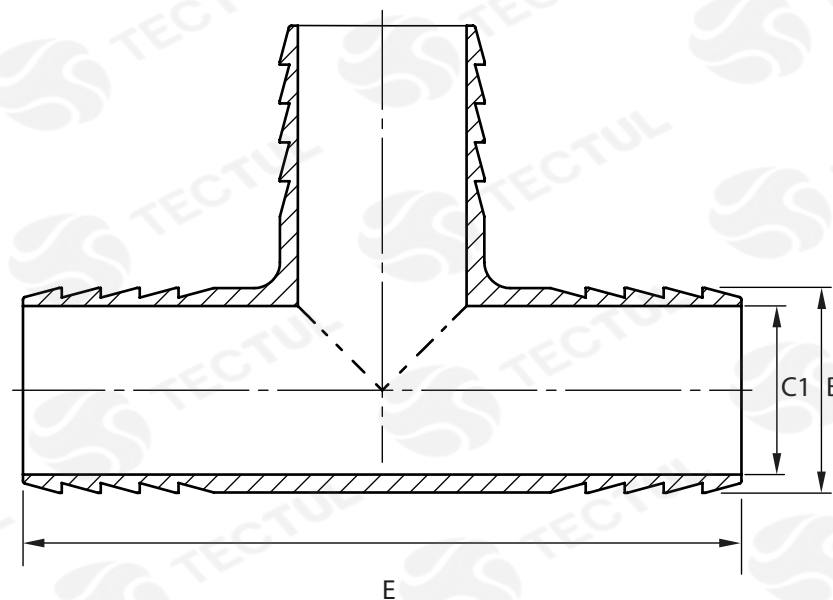


DATOS TÉCNICOS				
MEDIDA [In]	DIÁMETRO MANGUERA [mm] (B)	DIÁMETRO INTERNO [mm] (C1)	ALTURA [mm] (E)	PESO (g)
1/2"	17,00*	10,00*	85,20*	42,10*
3/4"	21,00*	15,00*	98,00*	59,30*
1"	26,20*	19,00*	121,50*	105,70*
1 1/4"	35,00*	26,00*	148,00*	197,40*
1 1/2"	29,00*	31,50*	139,20*	186,00*
2"	52,40*	42,00*	215,50*	532,60*
2 1/2"	66,00*	55,70*	230,00*	682,00*
3"	79,00*	65,00*	277,00*	1315,80*
4"	102,00*	83,00*	282,00*	2466,60*

* Fotos y medidas referenciales, sujetas a cambios sin previo aviso por parte del proveedor o fabricante.

DATOS TÉCNICOS	
ATRIBUTO	DESCRIPCIÓN
Tipo de Pieza	Tee Manguera
Cuerpo	Aluminio
Rango Máximo de Presión	1/2" - 4" 150 PSI / 5" - 6" 75 PSI / 8" PSI
Temperatura	Ambiente
Características	Aleación de aluminio, diseñada especialmente para alta resistencia a la tensión, ligereza y rigidez.
Conexión	Adaptador Manguera - Adaptador Manguera

* Fotos y medidas referenciales, sujetas a cambios sin previo aviso por parte del proveedor o fabricante.





TECTUL

ALUMINUM HOSE TEE

MATERIALS



PHYSICAL CHARACTERISTICS



DIMENSIONAL CHARACTERISTICS



TECNICAL DATA				
SIZE [In]	HOSE DIAMETER [mm] (B)	INTERNAL DIAMETER [mm] (C1)	HEIGHT [mm] (E)	WEIGHT (g)
1/2"	17,00*	10,00*	85,20*	42,10*
3/4"	21,00*	15,00*	98,00*	59,30*
1"	26,20*	19,00*	121,50*	105,70*
1 1/4"	35,00*	26,00*	148,00*	197,40*
1 1/2"	29,00*	31,50*	139,20*	186,00*
2"	52,40*	42,00*	215,50*	532,60*
2 1/2"	66,00*	55,70*	230,00*	682,00*
3"	79,00*	65,00*	277,00*	1315,80*
4"	102,00*	83,00*	282,00*	2466,60*

* Reference photos and measurements, subject to change without prior notice from the supplier or manufacturer.

TECNICAL DATA	
ATTRIBUTE	DESCRIPTION
Type of Piece	Tee Hose
Body	Aluminum
Maximun Pressure Range	1/2 "- 4" 150 PSI / 5 "-6" 75 PSI
Temperature	Environment
Features	Aluminum alloy, specially designed for high tensile strength, lightness and rigidity.
Connection	Hose Adapter - Hose Adapter

* Reference photos and measurements, subject to change without prior notice from the supplier or manufacturer.

