



TECTUL

TEE MANGUERA HEMBRA ALUMINIO

MATERIALES

CARACTERÍSTICAS FÍSICAS



CARACTERÍSTICAS DIMENSIONALES



DATOS TÉCNICOS

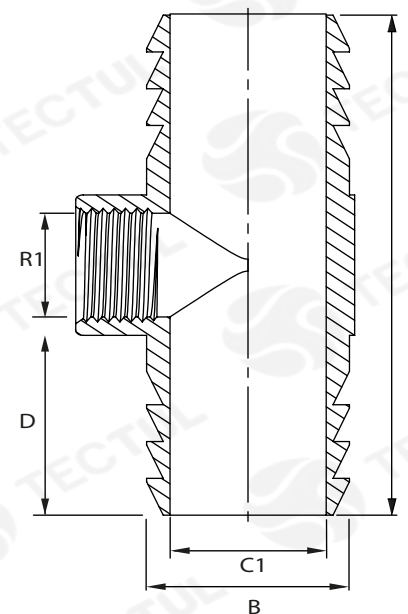
MEDIDA [In]	MEDIDA ROSCA [In] (R1)	DIÁMETRO MANGUERA [mm] (B)	INSERCIÓN MANGUERA [mm] (D)	DIÁMETRO INTERNO [mm] (C1)	ALTURA [mm] (E)	PESO (g)
1" X 1/2"	1/2"	26,40*	40,50*	18,60*	122,00*	136*
1" X 3/4"	3/4"	26,80*	41,00*	19,00*	123,00*	123*
1" X 1"	1"	26,80*	40,00*	19,00*	121,00*	108*
1 1/4" X 1/2"	1/2"	32,20*	52,25*	25,00*	147,00*	200*
1 1/4" X 3/4"	3/4"	32,20*	52,25*	25,00*	147,00*	188*
1 1/4" X 1"	1"	32,20*	52,25*	25,00*	147,00*	164*
1 1/2" X 1/2"	1/2"	32,20*	53,75*	30,80*	149,50*	168*
1 1/2" X 3/4"	3/4"	32,20*	53,75*	30,80*	149,50*	217*
1 1/2" X 1"	1"	32,20*	53,75*	30,80*	149,50*	219*
1 1/2" X 1 1/4"	1 1/4"	32,20*	54,70*	31,00*	161,00*	221*
1 1/2" X 1 1/2"	1 1/2"	32,20*	52,00*	31,00*	161,00*	236*
2" X 1/2"	1/2"	32,20*	69,00*	41,00*	180,00*	348*
2" X 3/4"	3/4"	32,20*	69,00*	41,00*	180,00*	344*
2" X 1"	1"	32,20*	69,00*	41,00*	180,00*	330*
2" X 1 1/4"	1 1/4"	32,20*	64,00*	41,00*	180,00*	349*
2" X 1 1/2"	1 1/2"	32,20*	65,70*	41,00*	188,00*	348*
2" X 2"	2"	32,20*	74,00*	41,50*	228,00*	436*

* Fotos y medidas referenciales, sujetas a cambios sin previo aviso por parte del proveedor o fabricante.

DATOS TÉCNICOS

ATRIBUTO	DESCRIPCIÓN
Tipo de Pieza	Tee Hembra Manguera
Cuerpo	Aluminio
Rango Máximo de Presión	1/2" - 4" 150 PSI / 5" - 6" 75 PSI / 8" PSI
Temperatura	Ambiente
Características	Aleación de aluminio, diseñada especialmente para alta resistencia a la tensión, ligereza y rigidez.
Tipo de Rosca	NPT (Cónica - Rosca Tubería Nacional)
Conexión	Adaptador Manguera - Adaptador Manguera - Rosca NPT Hembra

* Fotos y medidas referenciales, sujetas a cambios sin previo aviso por parte del proveedor o fabricante.



Última Revisión: Octubre 2021



TECTUL

ALUMINUM FEMALE HOSE TEE

MATERIALS

PHYSICAL CHARACTERISTICS



DIMENSIONAL CHARACTERISTICS

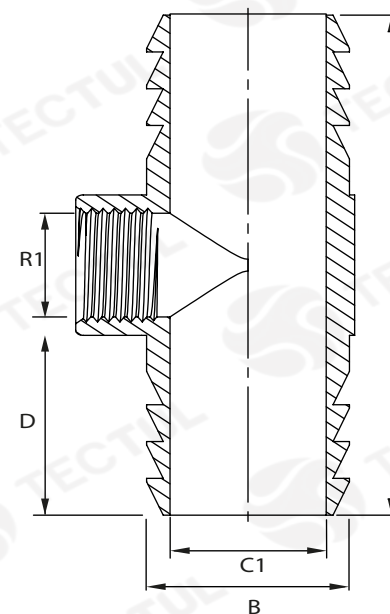


TECNICAL DATA						
SIZE [In]	THREAD SIZE [In] (R1)	HOSE DIAMETER [mm] (B)	HOSE INSERTION [mm] (D)	INTERNAL DIAMETER [mm] (C1)	HEIGHT [mm] (E)	WEIGHT (g)
1" X 1/2"	1/2"	26,40*	40,50*	18,60*	122,00*	136*
1" X 3/4"	3/4"	26,80*	41,00*	19,00*	123,00*	123*
1" X 1"	1"	26,80*	40,00*	19,00*	121,00*	108*
1 1/4" X 1/2"	1/2"	32,20*	52,25*	25,00*	147,00*	200*
1 1/4" X 3/4"	3/4"	32,20*	52,25*	25,00*	147,00*	188*
1 1/4" X 1"	1"	32,20*	52,25*	25,00*	147,00*	164*
1 1/2" X 1/2"	1/2"	32,20*	53,75*	30,80*	149,50*	168*
1 1/2" X 3/4"	3/4"	32,20*	53,75*	30,80*	149,50*	217*
1 1/2" X 1"	1"	32,20*	53,75*	30,80*	149,50*	219*
1 1/2" X 1 1/4"	1 1/4"	32,20*	54,70*	31,00*	161,00*	221*
1 1/2" X 1 1/2"	1 1/2"	32,20*	52,00*	31,00*	161,00*	236*
2" X 1/2"	1/2"	32,20*	69,00*	41,00*	180,00*	348*
2" X 3/4"	3/4"	32,20*	69,00*	41,00*	180,00*	344*
2" X 1"	1"	32,20*	69,00*	41,00*	180,00*	330*
2" X 1 1/4"	1 1/4"	32,20*	64,00*	41,00*	180,00*	349*
2" X 1 1/2"	1 1/2"	32,20*	65,70*	41,00*	188,00*	348*
2" X 2"	2"	32,20*	74,00*	41,50*	228,00*	436*

* Reference photos and measurements, subject to change without prior notice from the supplier or manufacturer.

TECNICAL DATA	
ATTRIBUTE	DESCRIPTION
Type of Piece	Female Tee Hose
Body	Aluminum
Maximun Pressure Range	1/2" - 4" 150 PSI / 5" - 6" 75 PSI
Temperature	Environment
Features	Aluminum alloy, specially designed for high tensile strength, lightness and rigidity.
Thread Type	NPT (Conical - National Pipe Thread)
Connection	Hose Adapter - Hose Adapter - Female NPT Thread

* Reference photos and measurements, subject to change without prior notice from the supplier or manufacturer.



Last Revision: October 2021